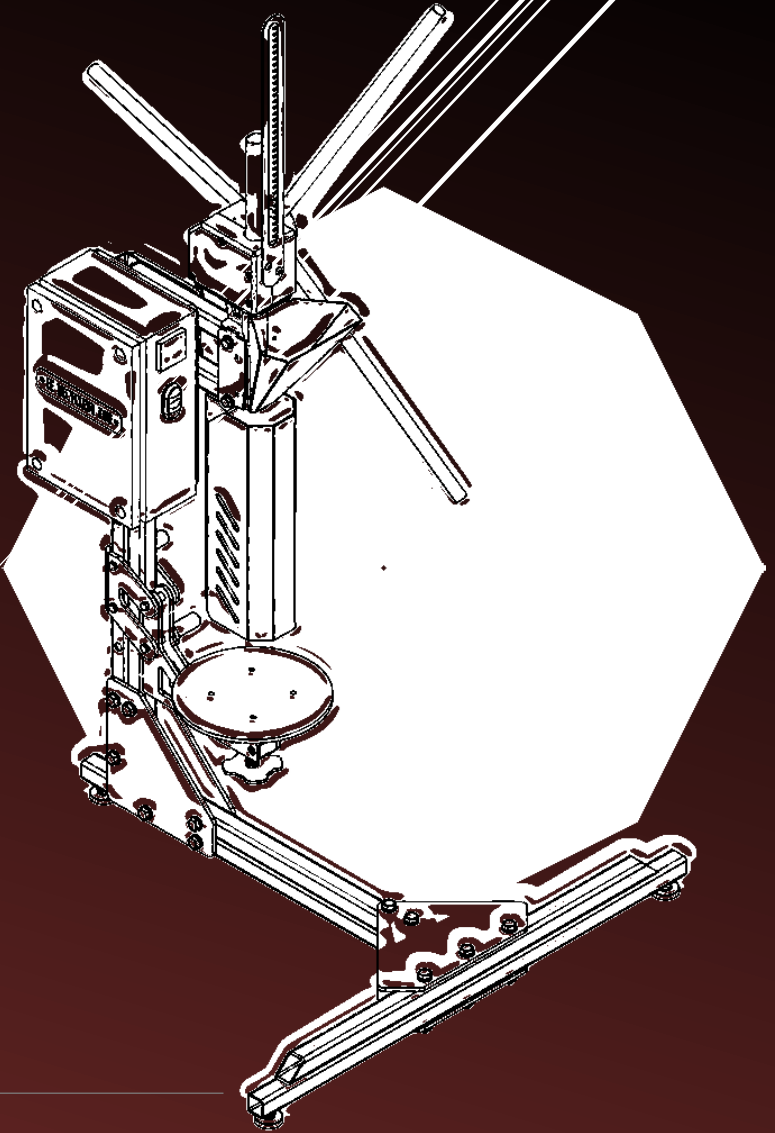




ATELIER
DES RECYCLEURS FOUS

MILLENIUM

MANUAL RACK SYSTEM INJECTION MACHINE MADE IN FRANCE



SPECIFICATIONS

WEIGHT	4.0 KG
DIMENSIONS	800 X 730 X 1600 MM
INJECTION VOLUME	150 CM ³
VOLTAGE	230 V
INTENSITY	4 A
POWER	880 W
INJECTION PRESSURE	214 BARS
HEATERS	4
FRAME	REMOVABLE IN 3 PARTS
ELECTRICITY PLUG	EU UK
NOZZLE THREAD	CUSTOM MADE
PLASTICS TO USE	PP PE HDPE LDPE PS
OUTPUT	10-30 INJECTIONS PER HOUR
CONNECTION MOLD	QUICK CHANGE SYSTEM WITH SPRING TRAY

STANDARDS

EN 12100
EN 60204-1
EN 61439-1
EN 61439-2